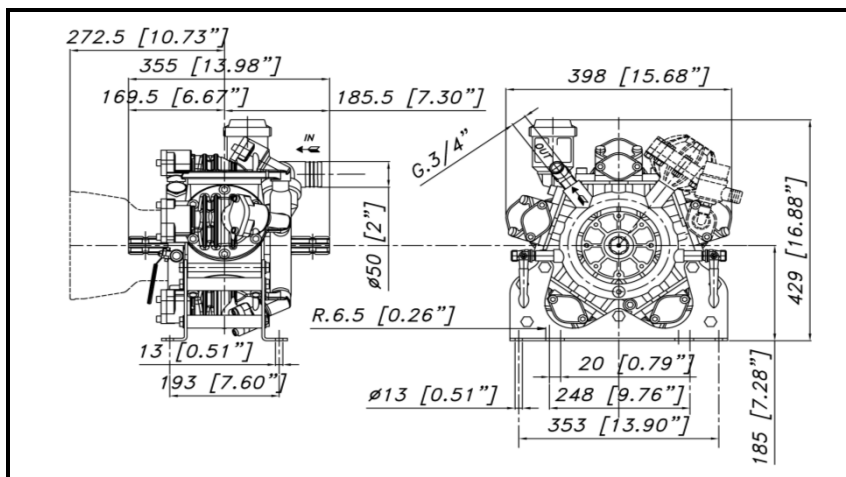
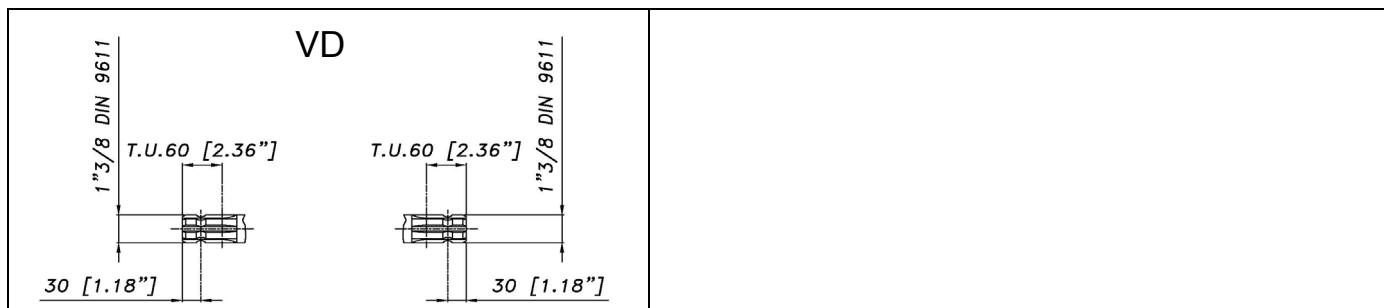


DIMENSIONI D'INGOMBRO - OVERALL DIMENSIONS



ALBERO POMPA - PUMP SHAFT



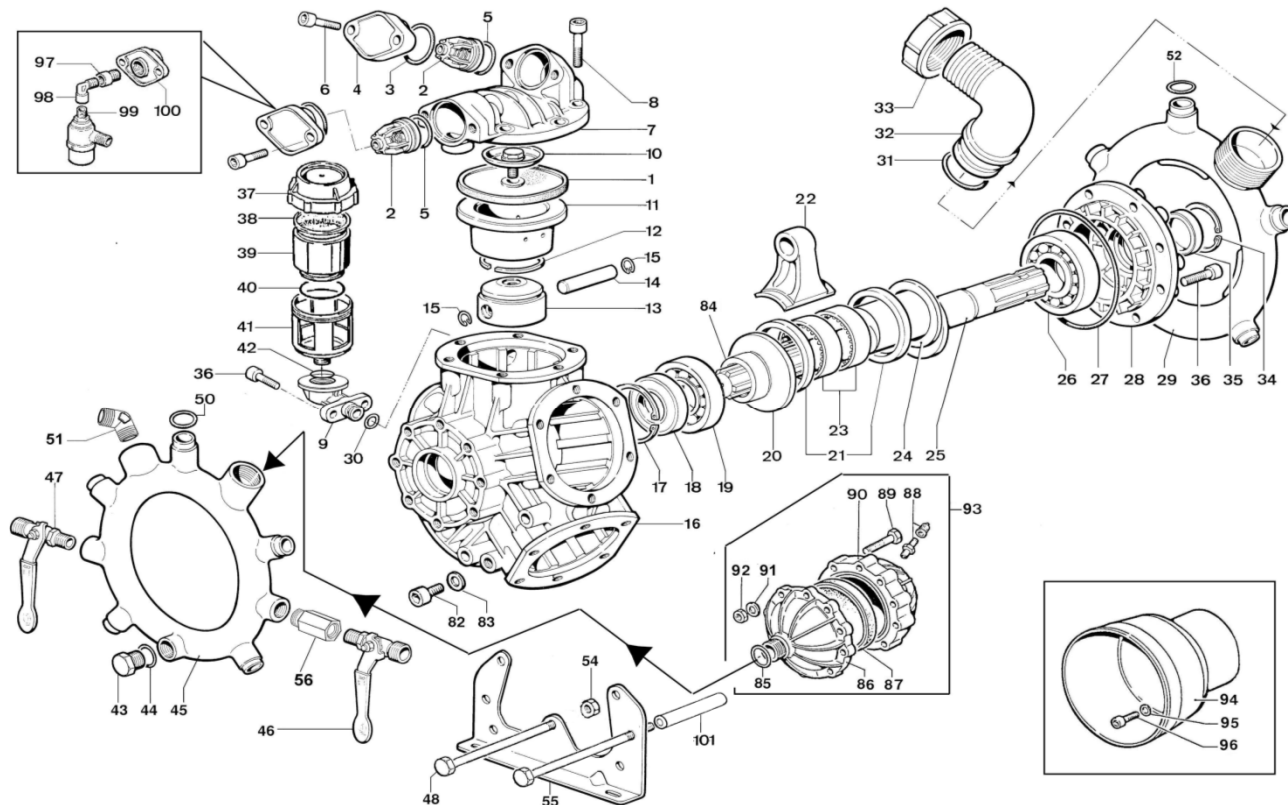
COPPIA DI SERRAGGIO - TORQUE CHART					
CODICE - CODE	Q.TY	POS	N-m	Lbr.ft	
41.9835.97.3	5	10	25	18,5	
86.3265.00.2	20	6	44	32,5	
86.2562.00.2	10	36	22	16,3	
86.4139.00.2	3	48	68	50	
86.3947.00.2	30	8	98	72,3	
Tolleranza di serraggio:			0/-10%		
Tolerance on torque value:			0/-10%		

INFORMAZIONI UTILI USEFUL INFORMATION				
LUBRIFICANTE- LUBRICANT:				
OLIO MOTORE O SEMIIDRAULICO SAE 30 MOTOR OIL OR SEMI-HYDRAULIC OIL SAE 30				
PRESSIONE ACCUMULATORE ACCUMULATOR PRESSURE				
PRESSIONE DI LAVORO - OPERATING PRESSURE	2 ÷ 5	5+10	10 ÷ 20	20 ÷ 50
ACCUMULATORE ACCUMULATOR	2	2 ÷ 5	5 ÷ 7	6 ÷ 8

KIT MEMBRANE - DIAPHRAGMS KIT																				
KIT	49.9805.97.3	BUNA - N			49.9809.97.3	DESMOPAN			49.9823.97.3	VITON						49.9812.97.3	PENTAX			
		1	50	52		1	50	52		1	50	52	5	3	31		85	87	1	50
POSIZIONE ESPLOSO POSITION NUMBER																				
QUANTITA' NEL KIT QUANTITIES INCLUDED	5	5	5	5	5	5	5	5	5	5	5	5	10	10	1	1	1	5	5	5

KIT POMPA/KIT VALVOLE - PUMP KIT/VALVES KIT																	
KIT	49.9805.97.3	KIT POMPA VD PUMP KIT VD							49.9806.97.3	KIT VALVOLE VALVES KIT							
		3	5	18	27	35	50	52		2	3	5					
POSIZIONE ESPLOSO POSITION NUMBER																	
QUANTITA' NEL KIT QUANTITIES INCLUDED	10	10	1	1	1	7	5	10	10	10							

IDB 1600 - 1800 - 2000



POS.	CODICE PART NO. REF.	DENOMINAZIONE - DESCRIPTION - DESCRIPTION	Q.TY	POS.	CODICE PART NO. REF.	DENOMINAZIONE - DESCRIPTION - DESCRIPTION	Q.TY
1	95.0040.31.2	PISTON DIAPHRAGM	5	35	80.2178.10.2	OIL SEAL	1
1	95.0040.33.2	PISTON DIAPHRAGM VITON (OPT.)	5	36	86.2562.00.2	SCREW M8x20	10
1	95.0040.00.2	PISTON DIAPHRAGM DESMOPAN (OPT.)	5	37	28.0144.32.2	OIL FILLER CAP	1
1	95.0040.36.2	PISTON DIAPHRAGM HPS (OPT.)	5	38	41.0017.31.2	OIL FILLER DIAPHRAGM	1
2	35.9802.97.3	VALVE ASSY	10	39	41.0016.32.2	OIL FILLER	1
3	80.3262.00.2	O-RING 3,53x41,28	10	40	80.3209.40.2	O-RING 2.62x44.12	1
3	80.3262.50.2	O-RING 3,53x41,28 (KIT VITON)	10	41	41.0015.09.0	BOWL OIL FILLER	1
4	35.0008.28.2	BRASS VALVE COVER	10	42	80.3205.50.2	O-RING 2.62x26,65	1
5	80.3251.00.2	O-RING 3,53x32,93	10	43	85.2579.00.2	CAP G.3/8	1
5	80.3251.50.2	O-RING 3,53x32,93 (KIT VITON)	10	44	82.4109.00.2	GASKET DIA.17x22x1 COPPER	1
6	86.3265.00.2	SCREW M10x25	20	45	49.0004.12.2	OUTLET MANIFOLD	1
7	48.0027.28.2	PUMP HEAD	5	46	84.5544.00.2	RIGHT TAP G.3/8-G.1/2	1
8	86.3947.00.2	SCREW M12X40	30	47	84.5544.10.2	LEFT TAP G.3/8-G.1/2	1
9	49.0019.08.2	OIL FILLER COUPLING	1	48	86.4139.00.2	SCREW M12x160	7
10	41.9835.97.3	DISK-DIAPHRAGM LOCKING BOLT KIT	5	50	80.3189.00.2	O-RING 2.62x18.72	6
11	41.0026.01.2	PISTON SLEEVE (IDB 1600)	5	50	80.3189.50.2	O-RING 2.62x18.72 (KIT VITON)	6
11	43.0015.01.2	PISTON SLEEVE (IDB 1800)	5	51	83.5063.28.2	CONNECTOR 60° G 3/4" M-M	1
11	48.0029.01.2	PISTON SLEEVE (IDB 2000)	5	52	80.3204.00.2	O-RING 2.62x23,81	5
12	81.8524.00.2	PISTON RING (IDB 1600)	10	52	80.3204.50.2	O-RING 2.62x23,81 (KIT VITON)	5
12	81.8527.00.2	PISTON RING (IDB 1800)	10	54	81.4706.00.2	NUT M12	7
12	81.8530.00.2	PISTON RING (IDB 2000)	10	55	49.0028.61.2	MOUNTING RAIL	2
13	41.0025.09.2	PISTON (IDB 1600)	5	56	49.0021.53.2	EXTENSION	2
13	37.0016.09.2	PISTON (IDB 1800)	5	82	86.3694.50.2	SCREW M12x20	1
13	48.0028.09.2	PISTON (IDB 2000)	5	83	82.4066.00.2	GASKET	1
14	85.2007.00.2	PISTON PIN	5	84	49.0017.61.2	SPACER	1
15	80.0021.00.2	RING DIA.15	10	85	80.3200.00.2	O-RING 2.62x22.2	1
16	49.0023.09.2	CRANKCASE	1	85	80.3200.00.2	O-RING 2.62x22.2 (KIT VITON)	1
17	80.1369.00.2	RING DIA.52	1	86	48.0021.28.2	LOWER BALLASTER	1
18	80.2143.10.2	OIL SEAL	1	87	93.0041.31.2	BALLASTER DIAPHRAGM	1
19	81.2876.50.2	BEARING 35X100X25	1	87	93.0041.33.2	BALLASTER DIAPHRAGM (VITON)	1
20	49.0009.61.2	SPACER	1	88	86.1605.00.2	AIR VALVE	1
21	49.0010.41.2	CONROD RING	2	89	86.2785.00.2	SCREW M8x40 UNI5737 (AL. VERSION)	10
22	49.0005.11.2	CONROD	5	89	86.2785.00.2	SCREW M8x30 UNI5737 (BR. VERSION)	10
23	81.2955.00.2	BEARING 63X80X25	2	90	93.0003.09.2	BALLASTER COVER (AL. VERSION)	1
24	49.0002.61.2	SPACER	1	90	48.0033.28.2	BALLASTER COVER (BR. VERSION)	1
25	49.0006.26.2	CRANKSHAFT	1	91	84.3685.00.2	WASHER DIA.8,2X15X1,5 UNI1750	10
26	81.2914.00.2	BEARING 40X90X23	1	92	81.4575.00.2	NUT M8 UNI5588	10
27	80.3210.68.2	O-RING 2,62x120,32	1	93	48.9802.97.3	BALLASTER KIT BR./AL. (STD)	1
28	48.0003.09.2	BEARING COVER	1	93	48.9817.97.3	BALLASTER KIT BR./BR. (OPT.)	1
29	49.0003.12.2	INLET MANIFOLD	1	94	31.1482.32.2	PLAIN SAFETY CONE L=180 (OPT.)	1
30	80.3180.00.2	O-RING 2.62x15.08	1	94	31.1468.32.2	PLAIN SAFETY CONE L=135 (OPT.)	1
31	80.3265.00.2	O-RING 3,53x46,04	1	95	84.3696.00.2	WASHER DIA8,4X18X2 (OPT.)	2
31	80.3265.50.2	O-RING 3,53x46,04 (KIT VITON)	1	96	86.2547.00.2	SCREW TCEI M8x18 UNI5931 (OPT.)	2
31	80.3209.10.2	O-RING 2.62x40.95 (OPT.)	1	97	83.5033.00.2	REDUCTION G.1/2-G.3/8 (OPT.)	1
32	84.0611.00.2	90 ELBOW CONNECTOR 50-1,96"	1	98	82.2044.50.2	ELBOW M/F G.3/8 (OPT.)	1
32	84.0610.00.2	90 ELBOW CONNECTOR 50-1,96" PLAST.(OPT.)	1	99	24.3050.97.3	SAFETY VALVE 50 BAR (OPT.)	1
33	82.0121.00.2	G.2" WING NUT	1	100	35.0019.28.2	VALVE COVER G.1/2 F. (OPT.)	1
33	82.0120.00.2	G.2" WING NUT PLAST.(OPT.)	1	101	49.0029.75.2	SPACER	4
34	80.1369.00.2	RING DIA.52	1				